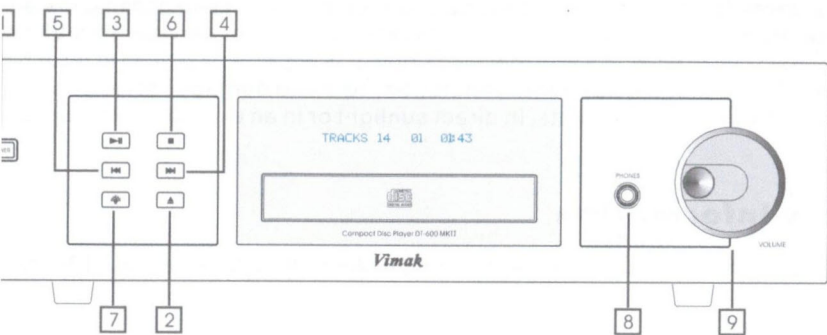


# Controls & Connectors

## Front Panel



## FRONT PANEL CONTROLS

### Power:

Press this button to turn the player on or off.

### Open/Close:

This is a toggle switch - each press either opens or closes the drawer.

### Play/Pause:

Press to play. Press to pause (while playing).

### Scan forward/Skip forward:

Press to skip tracks. Press and hold to scan forward on the track which is playing.

### Scan back/Skip back:

Press to skip back. Press and hold to scan back on the track which is playing.

### Stop:

Press to stop the disc playing.

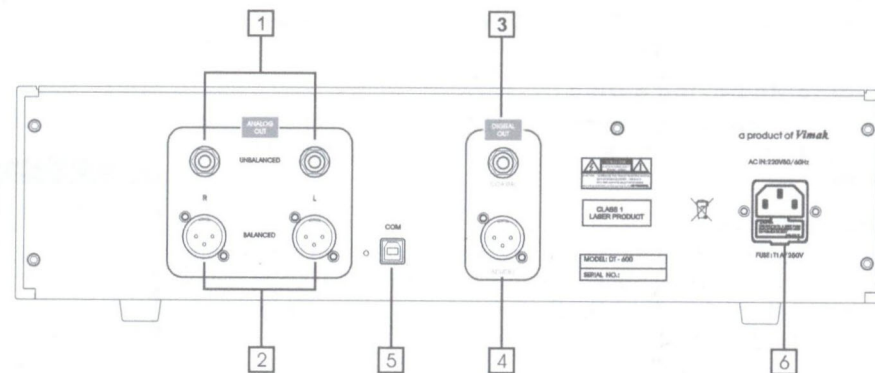
### DISPLAY:

Display brightness can be adjusted by pressing the button.

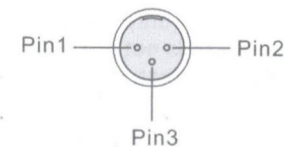
PHONES : Earphone jack

VOLUME : Turn the earphone volume knob to the right or left to select the desired volume.

## Rear Panel



- 1 UNBALANCED:  
Right/Left Channel Analogue Signal Unbalanced Output.
- 2 BALANCED:  
Right/Left Channel Analogue Signal Balanced Output.
- 3 COAXIAL:  
Digital Output Coaxial Port.
- 4 AES/EBS:  
Digital Output AES/EBU Port.
- 5 COM PORT:  
Communication Interface
- 6 AC Power supply:  
AC Power connector .



### Pin Assignments

- Pin 1: Signal Ground
- Pin 2: Signal + (Non-Inverting)
- Pin 3: Signal - (Inverting)
- Connector Ground Lug: Chassis Ground